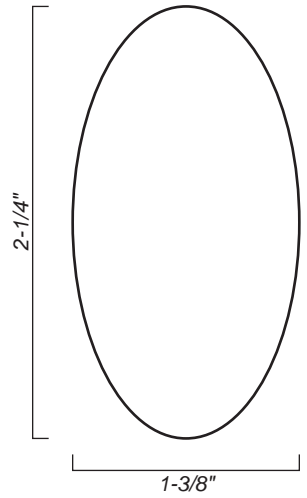
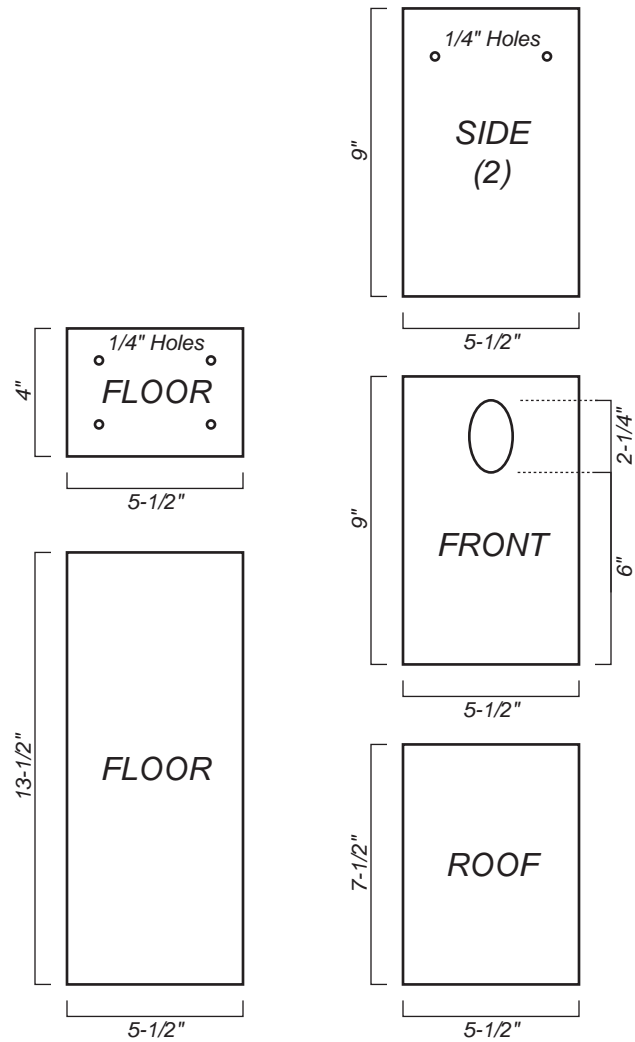
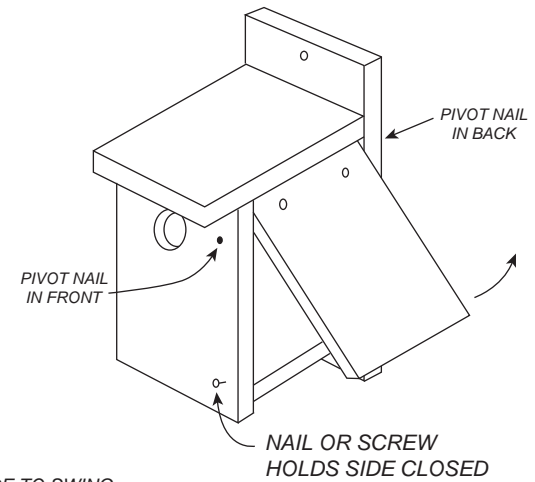
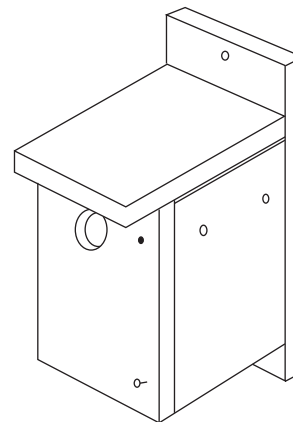


EASTERN BLUEBIRD GREAT CRESTED FLYCATCHER



NOTE:
Entrance hole for Great Crested Flycatcher should be a round hole 1-3/4" in diameter. If for bluebirds, a round hole should be 1-1/2" in diameter.



TWO "PIVOT" NAILS ALLOW SIDE TO SWING OUT FOR CLEANING.
USE ONE NAIL AT BOTTOM TO CLOSE SIDE

LUMBER: ONE 1" X 6" X 5"

